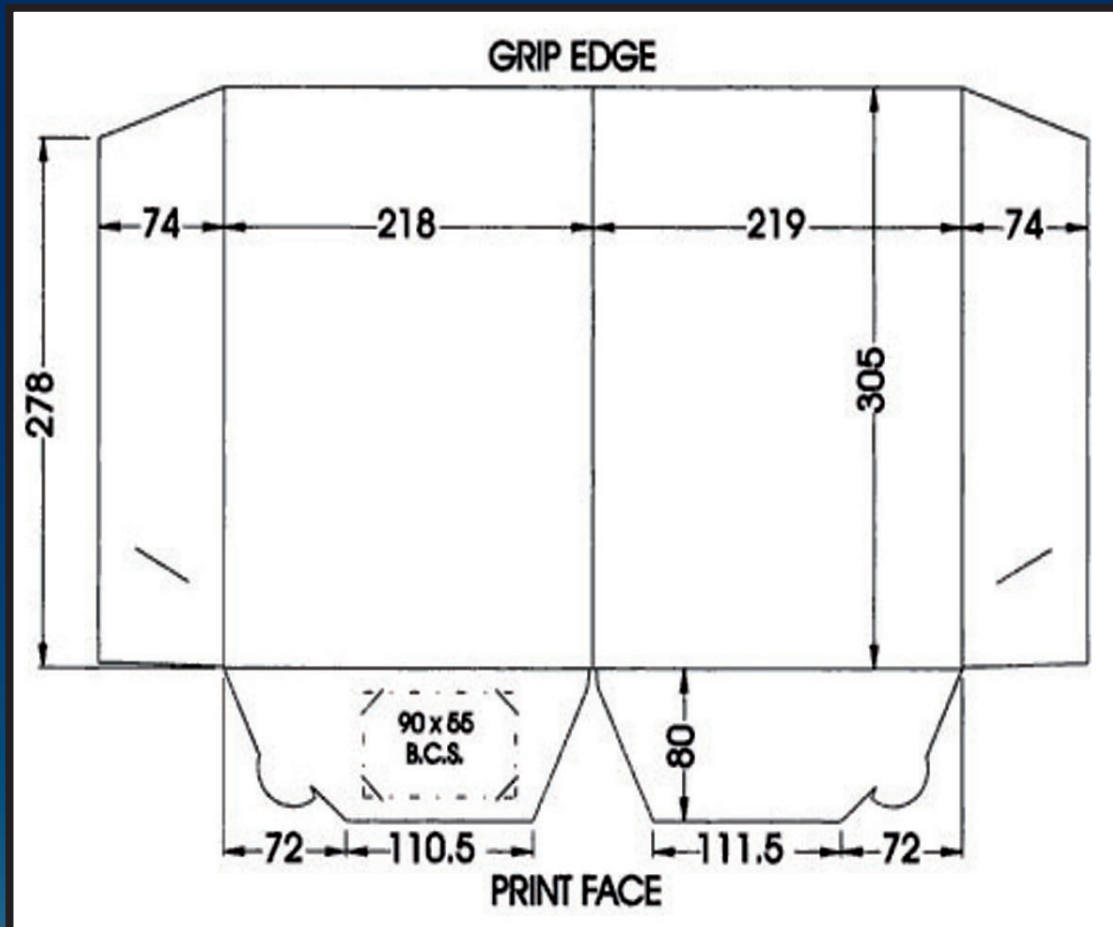


# H Double Hand Lock Corner, Single & Double Creases

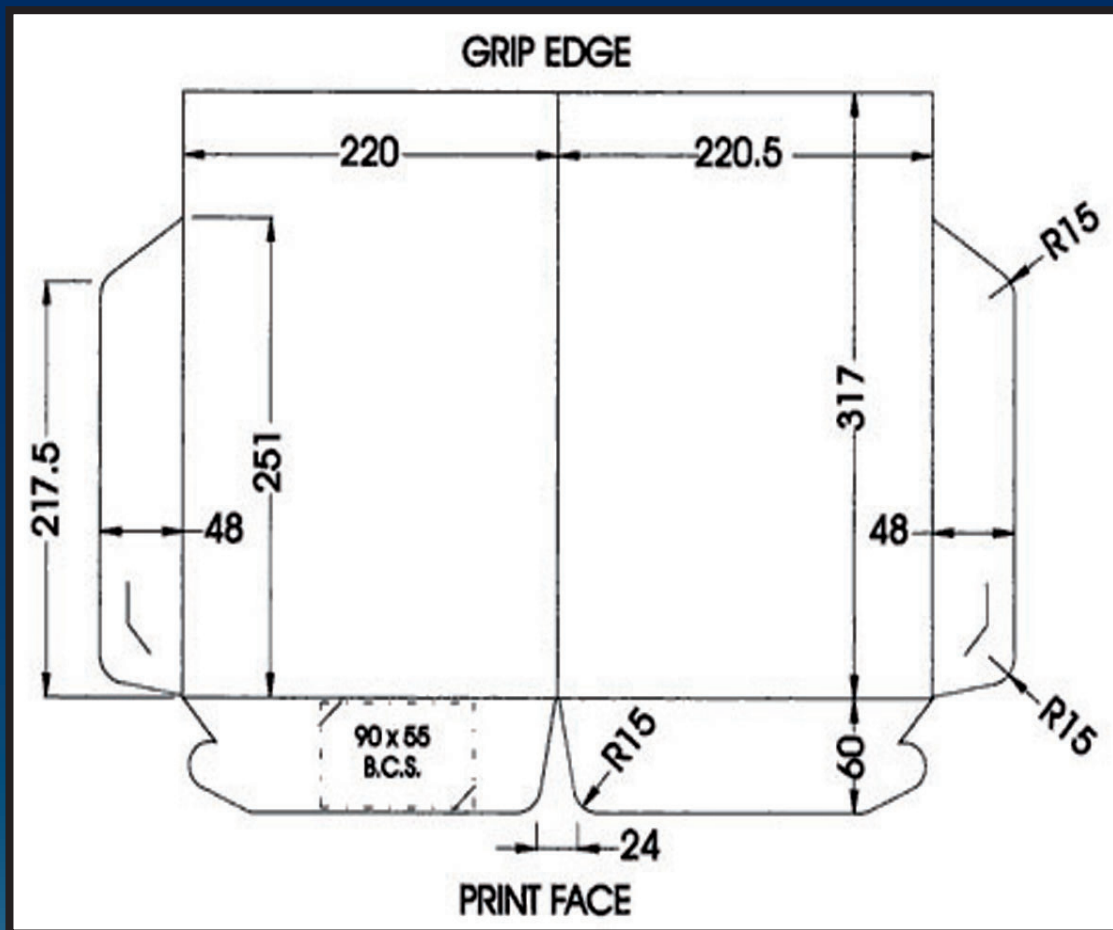
	A	B	C	SPINE	SHEET SIZE
➤ H7	305	218	80	0	420 x 625 mm
H8	317	220	60	0	410 x 565 mm
H9	307	220	73	6.5	410 x 640 mm
H10	320	225	70	5	430 x 635 mm



# H7

# H Double Hand Lock Corner, Single & Double Creases

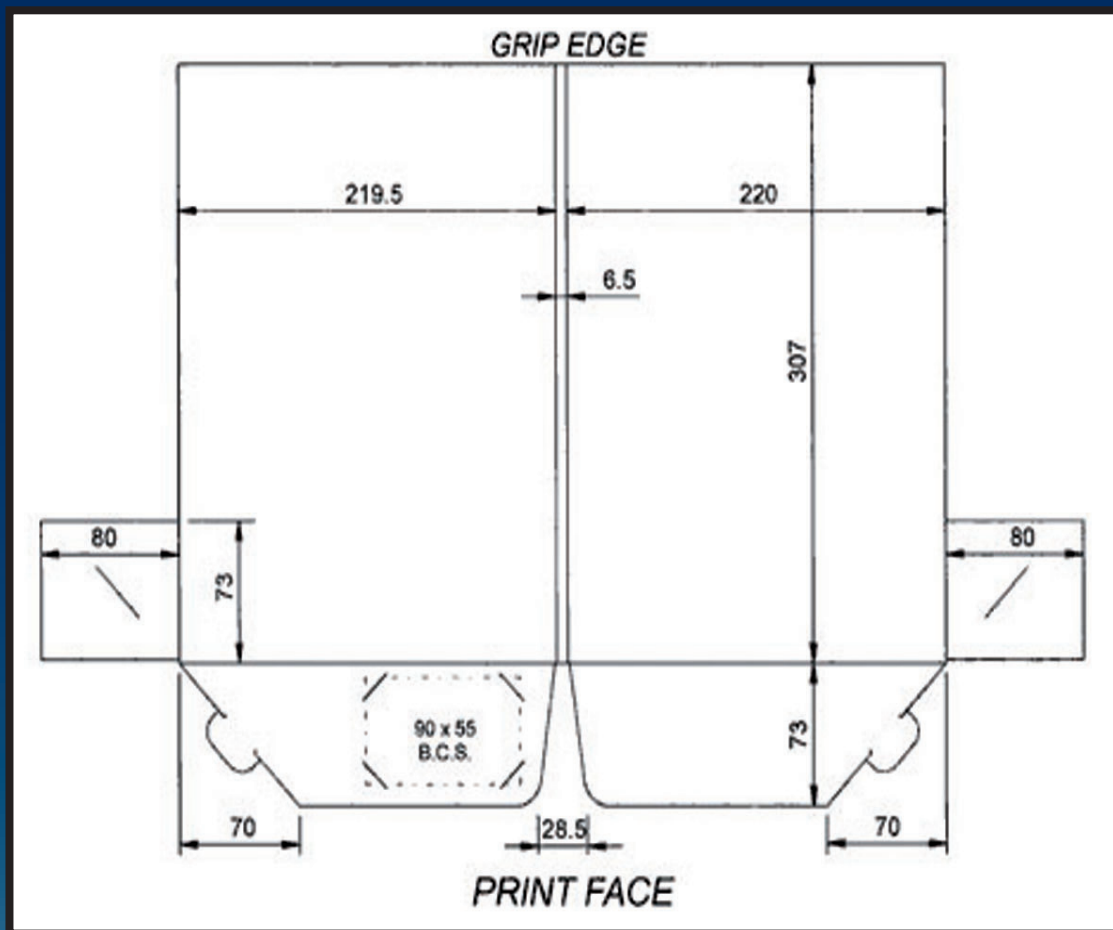
	A	B	C	SPINE	SHEET SIZE
➤ H7	305	218	80	0	420 x 625 mm
H8	317	220	60	0	410 x 565 mm
H9	307	220	73	6.5	410 x 640 mm
H10	320	225	70	5	430 x 635 mm



# H8

# H Double Hand Lock Corner, Single & Double Creases

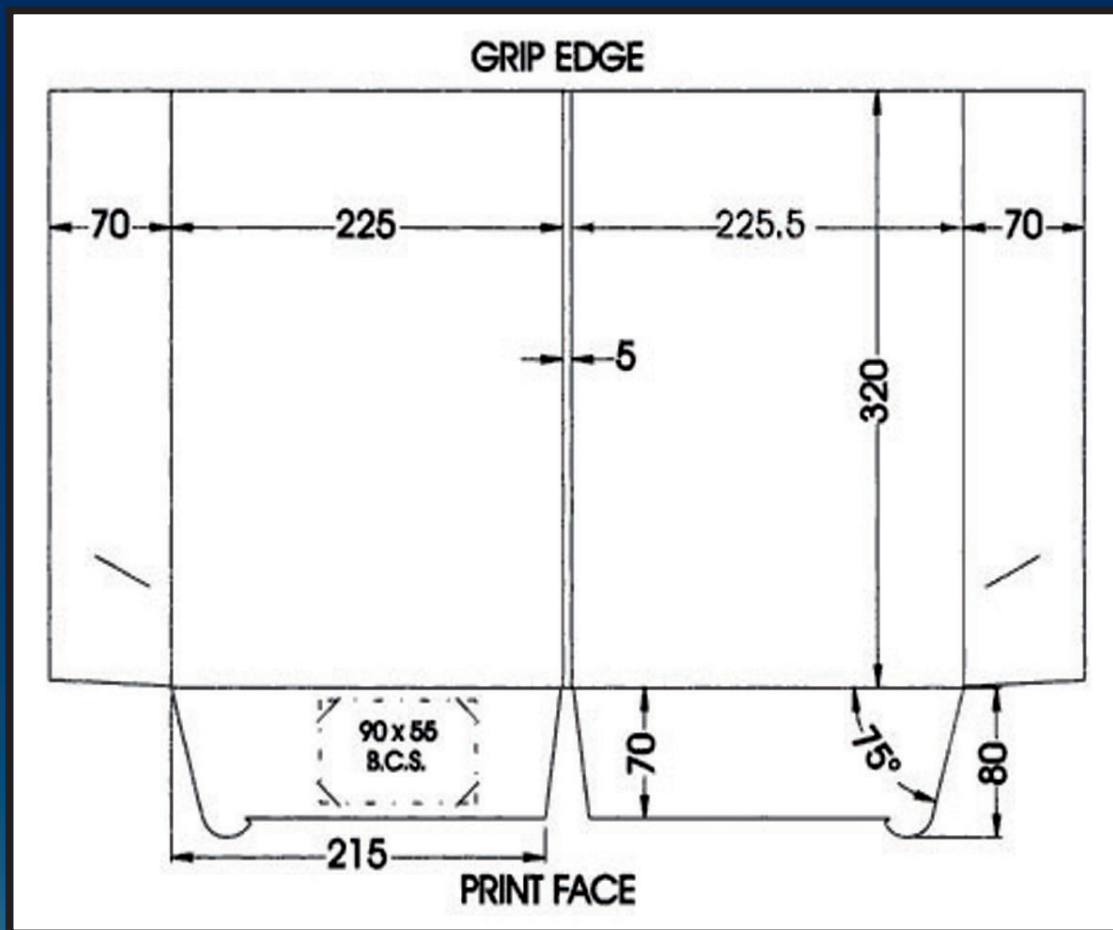
	A	B	C	SPINE	SHEET SIZE
H7	305	218	80	0	420 x 625 mm
H8	317	220	60	0	410 x 565 mm
H9	307	220	73	6.5	410 x 640 mm
H10	320	225	70	5	430 x 635 mm



# H9

# H Double Hand Lock Corner, Single & Double Creases

	A	B	C	SPINE	SHEET SIZE
H7	305	218	80	0	420 x 625 mm
H8	317	220	60	0	410 x 565 mm
H9	307	220	73	6.5	410 x 640 mm
➤ H10	320	225	70	5	430 x 635 mm



# H10